

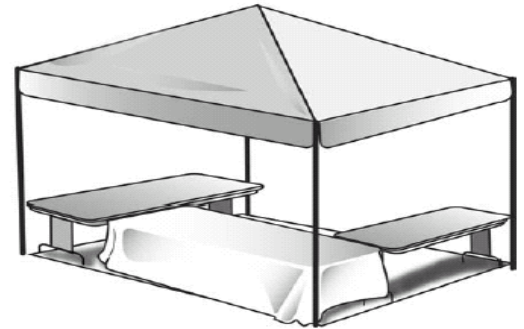
WASTE WATER AND GARBAGE DISPOSAL

- Waste water must be disposed of in an approved manner.
- Water or melting ice shall not create a wet or muddy area around the stand.
- An adequate number of covered trash containers shall be provided at each stand.
- It shall be the responsibility of the food stand operator to keep the area around their stand free of food scraps, paper and other trash.



STAND CONSTRUCTION

- Stands shall be constructed to include overhead shelter to protect food.
- If required, side screening shall be provided to protect from insects, dust, and weather.
- If required, floors shall be constructed of wood, asphalt, rubber or plastic matting to control dust, mud, and insects.
- Adequate lighting shall be provided, and lights above exposed food preparation areas must be shielded or shatterproof.



OPERATING A TEMPORARY FOOD STAND WITHOUT A LICENSE

- A Temporary Food License must be obtained prior to set up and serving food at a temporary event.
- Food vendors that are operating without proper licensure will be required to stop serving food while a temporary food license application is filled out and an inspection is conducted at the food stand.
- A double license fee will be collected for each food stand operating without an appropriate license.

QUESTIONS??

For questions- contact your Regulatory Authority (listed by county)
<https://dia.iowa.gov/food-and-consumer-safety-bureau>

ADDITIONAL RESOURCES:

[Temporary Event Coordinator Questionnaire](#) (to be submitted to your inspector)

[Temporary Food Vendor Checklist](#) (to be used by Vendors)

[Temporary Food Handwashing](#)

[Iowa Administrative Rules for Temporary Food Establishments](#)